

ORDERING FORM

FIXTURE: PSHB PARKER SPORTS HIGH BAY

EXAMPLE: PSHB-R360-150W-80-UNV-4K-EM2-WH-04

CODE	WATTS & LUMENS	BEAM	VOLTAGE	KELVIN	OPTIONS	FINISH	ACCESSORIES
PSHB-R280 Size 11" PSHB-R360 Size 14"	R280 80W-11200L 100W-14000L 120W-16800L 150W-21000L R360 100W-14000L 150W-21000L 200W-28000L	80	UNV- 100-277V 480V- Special Integral	3K- 3000K 4K- 4000K 5K- 5000K 6K- 6000K	DM- Dimmable EM2- Emergency Two Hours Integral *Black Finish Only MS- Motion Sensor	WH - White BLK - Black	01- PH09-RDHK01 Round Hook <u>STANDARD</u> 02- PH09-BUL02 Bulgin <u>STANDARD</u> 03- PH09-YOKE03 Yoke 04- PH09-CHS04 Chain Suspension 05- PH09-CARA05 Carabiner 06- PH09-DRVMOD06 Driver Module 07- PH09-USHK07 U.S. Hook *US Hook fits R360 only 08- PH09-WG08 Wire Guard can be field installed

ACCESSORIES							OPTIONS	
								
01	02	03	04	05	06	07	08	EM2

Parker Sports High Bay PSHB



Glare-Free LED Sports High Bay Lighting

The Parker Sports High Bay PSHB, an Anti-Glare LED high bay, has a honeycomb, patented design which provides an advanced lighting solution to reduce glare, creating a pleasant and comfortable working and sporting environment for people. The wire guard is made of 304 Steel and can be field installed. Ideal for sports halls, gymnasiums, education, warehouses, parking garages, etc. Available in 80° beam angles. Attached cord is 6 feet long.

FEATURES

- 5 Year Warranty
- Dimmable, optional
- Optional Beam Angle
- Excellent Heat Dissipation
- Honeycomb Lens, Low Glare
- 71,000 Hours (L70@Ta 25°C)
- Two Finishes: Black and White
- 480V (Optional) Comes with Internal Driver
- Replaces Traditional High Ceiling Applications
- Two Hours Integral Emergency, Black Finish

APPLICATION

- **INDUSTRIAL**
Warehouses, Production Halls, Parking Areas
- **EDUCATION**
Classrooms, Cafeterias, Auditoriums, Gymnasiums
- **SEMI-OUTDOOR**
Car Garages, Pools, Airports, Train/Bus Stations, Gas Stations, Parks, Toll Stations
- **SHOP & RETAIL**
Shopping Malls, Supermarkets, Retail Stores
- **ARCHITECTURAL**
Exhibition Centers, Libraries, Museums, Concert Halls



SPECIFICATIONS

Model No.	Power (W)	Lumens	lm/W
PSHB-R280	80	11200	140
PSHB-R280	100	14000	140
PSHB-R280	120	16800	140
PSHB-R280	150	21000	140
PSHB-R360	100	14000	140
PSHB-R360	150	21000	140
PSHB-R360	200	28000	140

Notes: Above lumens based on 4000K Ra: 80
 All values in +77°F ambient temperature,
 luminous flux tolerance +-5%
 output power tolerance +-5%

TECHNICAL PRODUCT INFORMATION

Storage: -40~+185°F **Operating:** -4~+104°F
PF: ≥0.93 **THD:** ≥20% **Power Efficiency:** ≥0.90
Light Source: SMD3030
SDCM: 3 or 6
Certification: UL
Beam Angle: 80°
 71,000 Hours (L70@Ta 25°C), 5 Year Warranty
CCT Range: 3000K | 4000K | 5000K | 6000K
AC Input: 100-277V Standard, 50/60Hz, 480V Internal Driver
Light Efficiency: 140 lm/W
Waterproof: IP65 & IK10
Recommended Installation Height: 10 – 65 ½ ft
Optional: Emergency (EM2 is integral),
 Motion Sensor, Dimmable
Function: Dimming to be 0-10V

ACCESSORIES



01



02



03



04



05



06



07



08

	IMAGE	PART #	DESIGNATION	MATERIAL	DESCRIPTION	QTY	ACCESSORY USE
Standard	01	PH09-RDHK01	Round Hook	Stainless Steel 304	2" x 1" x 1"	1 PC	Suspension
	02	PH09-BUL02	Bulgin	PC	120 - 277V	1 PC	Grade IP67
Optional	03	PH09-YOKE03	Yoke, R280	GALV Steel	9-3/4" x 1-5/8" x 4"	1 PC	Ceiling Mount
	03	PH09-YOKE03	Yoke R360/R380	GALV Steel	11-1/4" x 1-5/8" x 4"	1 PC	Ceiling Mount
	04	PH09-CHS04	Chain	Stainless Steel	3'	1 PC	Suspension Mount
	05	PH09-CARA05	Carabiner	Stainless Steel	2" x 1" x 1/4"	1 PC	Suspension Mount
	06	PH09-DRVMOD06	Driver Module		277 - 480V	1 PC	277-480V
	07	PH09-USHK07	US Hook	Stainless Steel	PSHB-R360 only	1 PC	Suspension
	08	PH09-WG08	Wire Guard	Stainless Steel 304		1 PC	Ceiling/Suspension



FEATURES

INTEGRAL EMERGENCY OPTION FOR THE PSHB

Emergency Option Black Finish



UGR<19/22



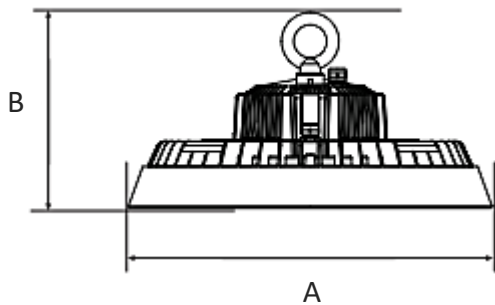
Unique Heatsink



Beam Angle



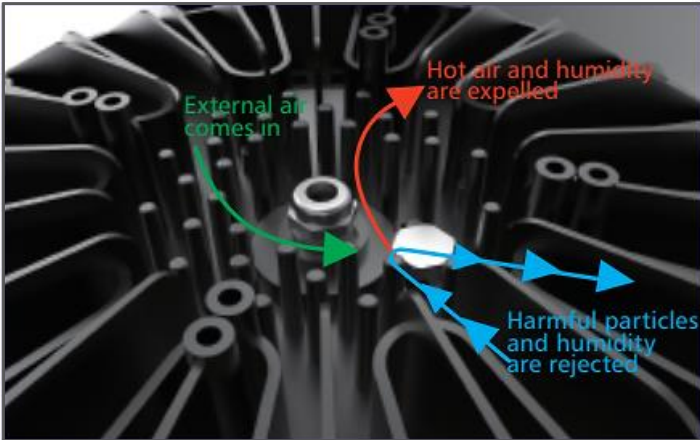
SIZE



Model No.	Size A (inches)	Size B (inches)
PSHB-R280	11"	7"
PSHB-R360	14"	7 ½"



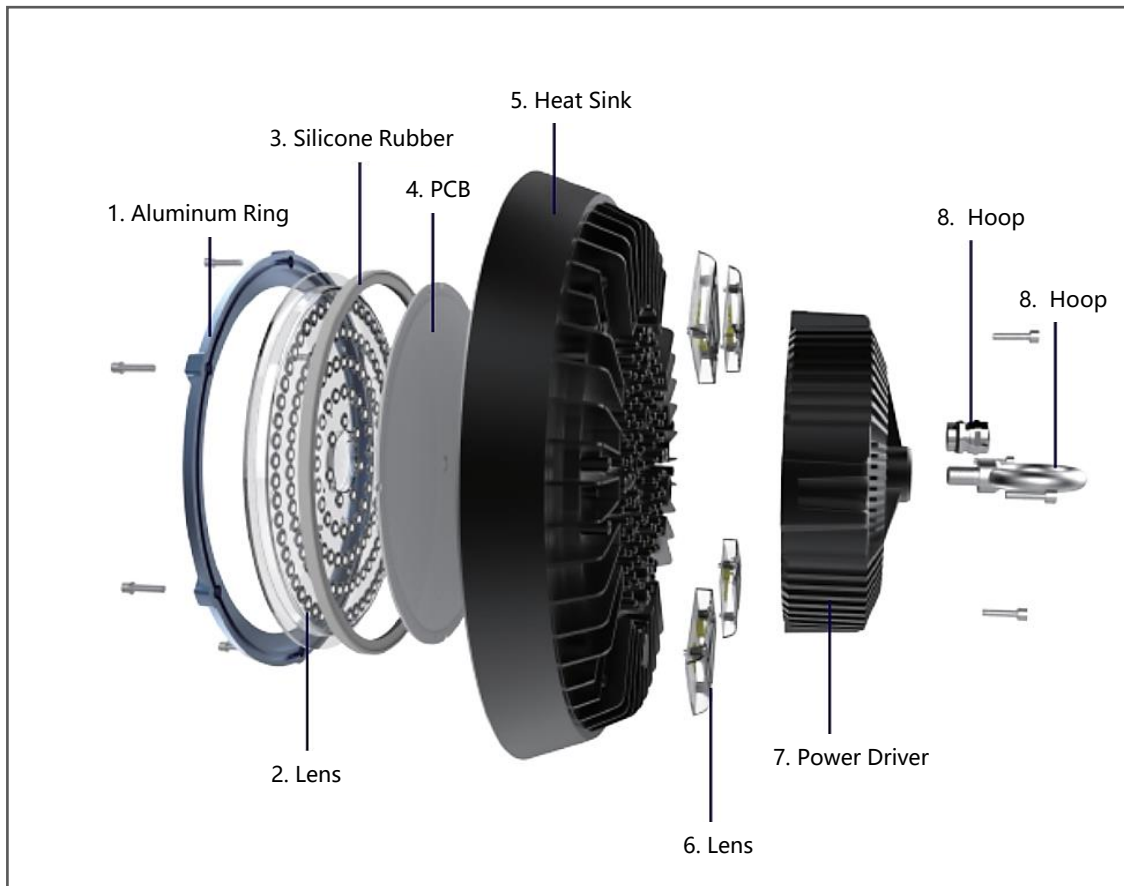
FEATURES



Respirator (Automatically regulates heat dissipation)

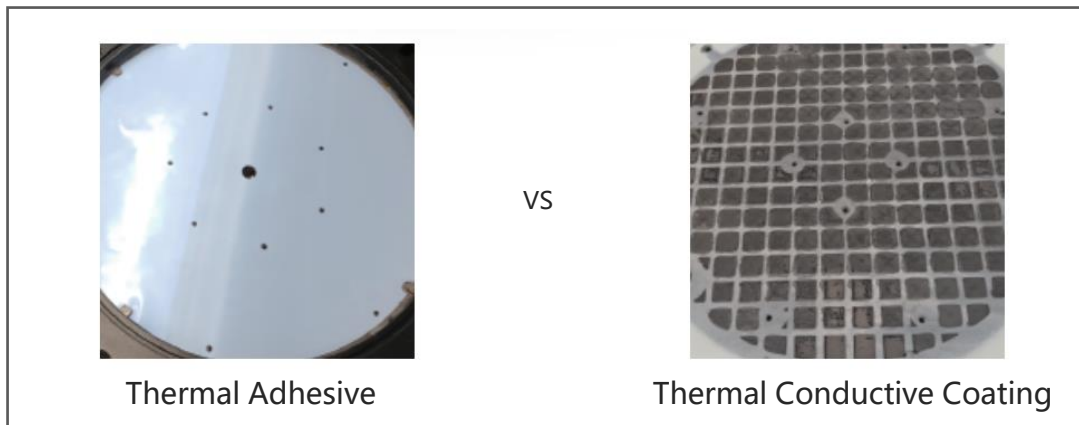
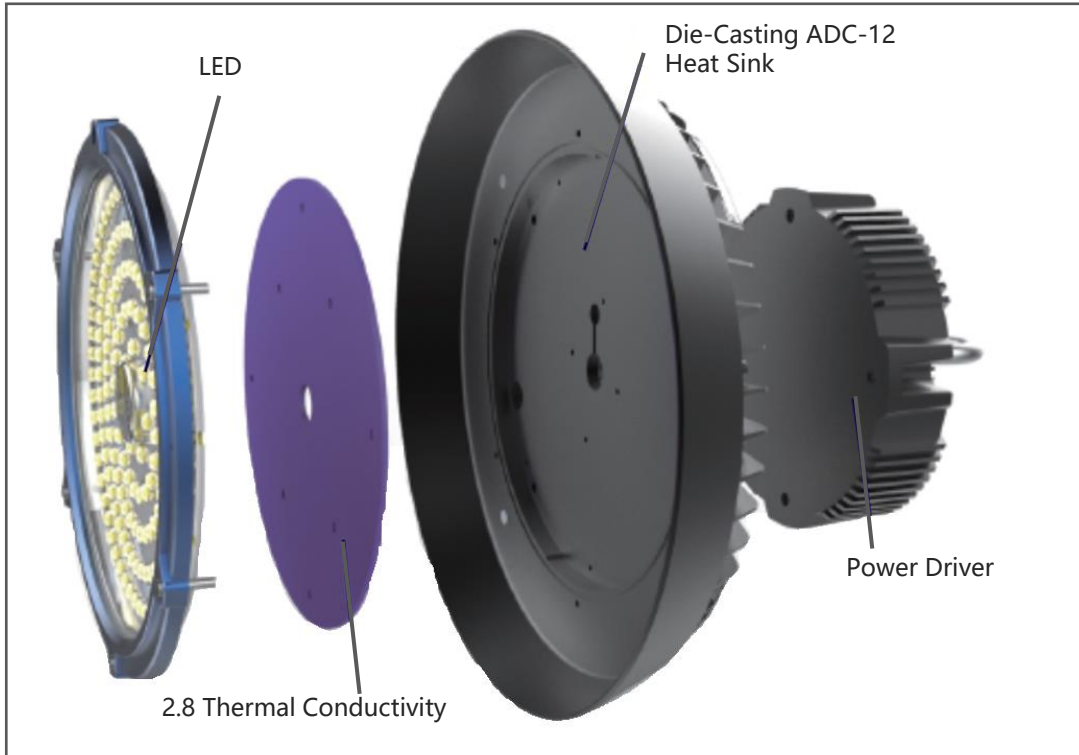
Fast Connector

STRUCTURE





ELECTRONIC



1. Superior heat-conducting electronics strengthen the heat-dissipation performance of luminaires.
2. Dust-free, no solidification, low attenuation.

