

ORDERING FORM

FIXTURE: PH09-EM2 PARKER BELLE EMERGENCY

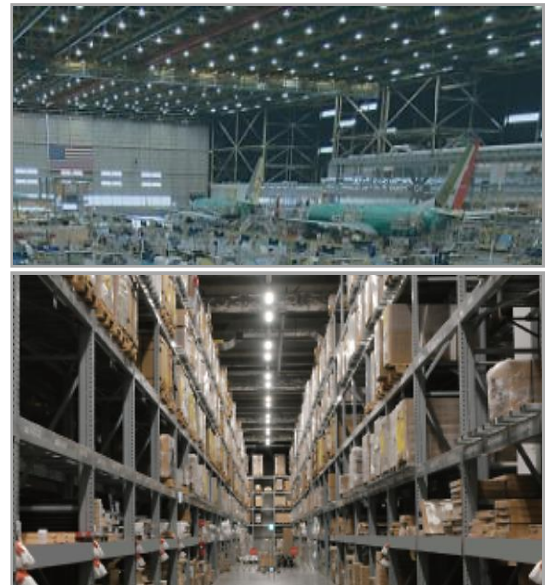
EXAMPLE: PH09A-EM2-R360-150W-21000L-80-UNV-4K-BLK-05

CODE	WATTS & LUMENS	BEAM	VOLTAGE	KELVIN	OPTIONS	FINISH	ACCESSORIES
PH09S-EM2 Standard Available in R280 and R360	<u>Standard R280</u> 80W-11200L 100W-14000L 120W-16800L 150W-21000L <u>Standard R360</u> 100W-14000L 120W-16800L 150W-21000L 200W-28000L	<u>Standard</u> 60 90 110	UNV- 100-277V	3K- 3000K 4K- 4000K 5K- 5000K 6K- 6000K	MS- Motion Sensor	BLK - Black	01-Round Hook <u>STANDARD</u> 02-Bulgin-IP65 <u>STANDARD</u> 04- Chain Suspension 05- Carabiner
PH09A-EM2 Anti-Glare Available in R360	<u>Anti-Glare R360</u> 150W-21000L 200W-28000L	<u>Anti-Glare</u> 80					

ACCESSORIES			
 01	 02	 04	 05

Parker Belle Emergency Compact

PH09-EM2



Emergency Compact LED High Bay

The Parker Belle Emergency Compact PH09-EM2 LED high bay fixture offers 8W, 1120 lumens and 140 lm/W in emergency power. The LED chip delivers 140lm/W, and the uniquely designed lens provides 60°/90°/110° beam angles. The built-in active PFC function contributes to energy efficiency. The PH09-EM2 is ideal for warehouses, parking areas, gymnasiums and a wide variety of other applications. Six-foot cord included.

FEATURES

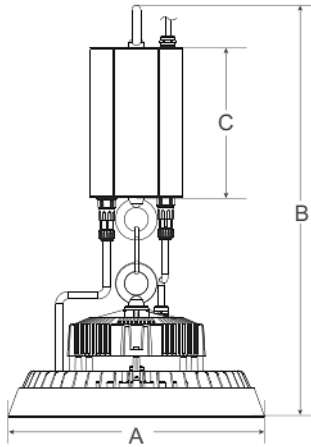
- IP65 / IK08
- Loop Hang
- Two Hour Emergency
- 5-Year Warranty
- Built-In Active PFC Function
- Unique Heatsink Design for Stable Performance
- Optional Motion Sensor
- Die-Cast Aluminum Alloy Housing
- Convenient Installation and Maintenance
- UFO High Bay Patented Design

APPLICATION

- **INDUSTRIAL**
Warehouses, Production Halls, Parking Areas
- **COMMERCIAL & EDUCATION**
Corridors/Stairways, Meeting Rooms, Entrance Areas, Offices, Classrooms, Cafeterias, Auditoriums, Sports Halls, Hospitals, Clinics, Gymnasiums
- **SEMI-OUTDOOR**
Car Garages, Pools, Airports, Train/Bus Stations, Gas Stations, Parks, Toll Stations, Canopy, Tunnels
- **SHOP & RETAIL**
Shopping Malls, Supermarkets, Retail Stores
- **ARCHITECTURAL**
Exhibition Centers, Libraries, Museums, Concert Halls



SIZE



Model No.	Size A	Size B	Size C
PH09E-EM2-R280	11"	22"	13"
PH09E-EM2-R360	14"	22"	13"

SPECIFICATIONS (LIGHT FIXTURE)

Model No.	Power (W)	Lumens	lm/W
PH09S-EM2 R280	80	11200	140
PH09S-EM2 R280	100	14000	140
PH09S-EM2 R280	120	16800	140
PH09S-EM2 R280	150	21000	140
PH09S-EM2 R360	100	14000	140
PH09S-EM2 R360	120	16800	140
PH09S-EM2 R360	150	21000	140
PH09S-EM2 R360	200	28000	140
PH09A-EM2 R360	150	21000	140
PH09A-EM2 R360	200	28000	140

Notes: Above lumens based on 4000K Ra: 80

TECHNICAL PRODUCT INFORMATION

Temperature: **Operating:** +14°F~+104°F
Storage: +14°F~+122°F

Light Source: 3030

Beam Angle: 60° 90° 110° Standard; 80° Anti-Glare

CCT Range: 3000K | 4000K | 5000K | 6000K

CRI Range: 80/90/95

AC Input: 100-277V

Light Efficiency: 140 lm/W (High Efficiency)

Waterproof: IP65 & IK08

Recommended Installation Height: 19-39ft

Lens: Polycarbonate / Vandal Resistant

Function: Emergency

SPECIFICATIONS (EMERGENCY BATTERY)

Model No.	Power (W)	Emergency Duration (H)	Lumens	lm/W
PH09-EM2	8	>2	1120	140

ACCESSORIES



01



02



03



04

	IMAGE	PART #	DESIGNATION	MATERIAL	DESCRIPTION	QTY	ACCESSORY USE
Standard	01	PH09-RDHK01	Round Hook	Stainless Steel 304	2" x 1" x 1"	1 PC	Suspension
	02	PH09-BUL02	Bulgin	PC	120-277V	1 PC	Grade IP67
Optional	04	PH09-CHS04	Chain	Stainless Steel	3' x 3/6" x 6/13"	1 PC	Suspension Mount
	05	PH09-CARA05	Carabiner	Stainless Steel	2" x 1" x 1/4"	1 PC	Suspension Mount